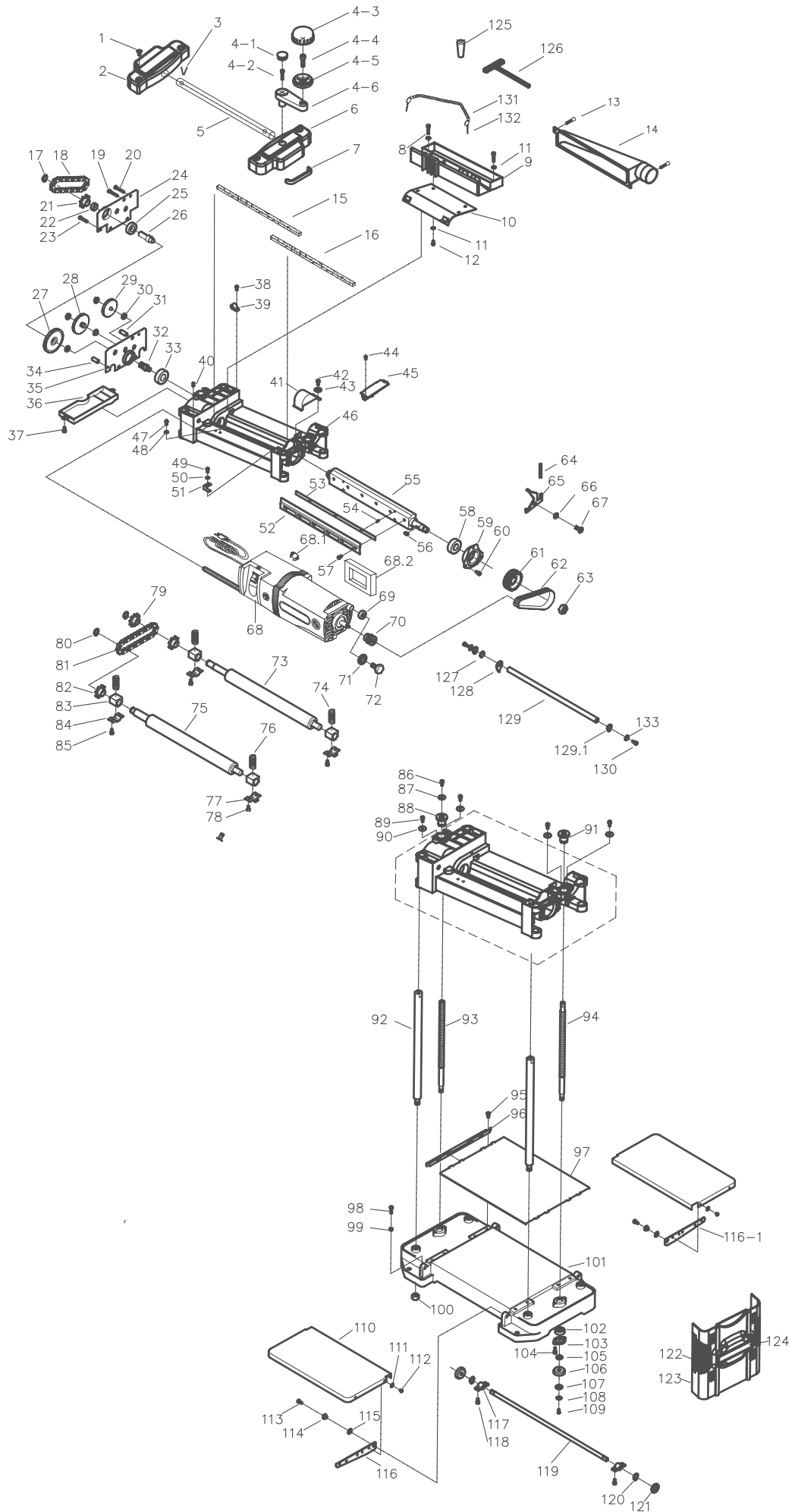


Triton Planer Thicknesser - TPT125



Triton Planer Thicknesser - TPT125

Diag. Ref.	Part No.	Description	Qty	Comments
1	TPT125001	FLAT HEAD SCREW	4	M8×P1.0×16L
2	TPT125002	LEFT CAP	1	
3	TPT125003	COTTER PIN	2	2.5X32L
4-1	TPT125004.1	PLUG	1	
4-2	TPT125004.2	SOCKET HEAD BOLT*	1	M5×25
4-3	TPT125004.3	KNOB	1	
4-4	TPT125004.4	SCREW	1	
4-5	TPT125004.5	KNOB HOUSING	1	
4-6	TPT125004.6	HANDLE	1	
5	TPT125005	ROLLER	1	Ø20×2.0T×392L
6	TPT125006	RIGHT CAP	1	
7	TPT125007	GRIP	2	
8	TPT125008	THUMB SCREW	2	
9	TPT125009	BLADE GUARD	1	
10	TPT125010	DUST CHUTE	1	
11	TPT125011	SPACER	4	Ø5.5*Ø10*1T
12	TPT125012	TAPPING SCREW	4	ST4.8×10L
13	TPT125013	THUMB SCREW	2	
14	TPT125014	DUST CHUTE	1	
15	TPT125015	GASKET	1	420×8×5
16	TPT125016	GASKET	1	320×10×8
17	TPT125017	3AMI-15 RETAINING RING	1	STW15
18	TPT125018	CHAIN	1	#410-27
19	TPT125019	SOCKET HEAD BOLT	3	M5×P0.8×35L
20	TPT125020	SOCKET HEAD BOLT	2	M5×P0.8×25L
21	TPT125021	SPROCKET	1	
22	TPT125022	SPACER	1	Ø15×Ø20×7t
23	TPT125023	SOCKET HEAD BOLT	1	M5×P0.8×30L
24	TPT125024	OUTSIDE COVER	1	
25	TPT125025	BALL BEARING	1	6002ZZ
26	TPT125026	SHAFT	1	
27	TPT125027	70T GEAR	1	70T
28	TPT125028	58T/12T DOUBLE GEAR	1	58T+12T
29	TPT125029	52T/12T DOUBLE GEAR	1	52T+12T
30	TPT125030	BUSHING	5	
31	TPT125031	SPACER	4	
32	TPT125032	PINION	1	
33	TPT125033	BALL BEARING	1	6203-2RZ/2Z
34	TPT125034	SPACER	2	
35	TPT125035	INSIDE COVER	1	
36	TPT125036	COVER	1	
37	TPT125037	SOCKET HEAD BOLT	2	M5×P0.8×10L
38	TPT125038	PAN HEAD SCREW	1	M5×P0.8×10L

Triton Planer Thicknesser - TPT125

Diag. Ref.	Part No.	Description	Qty	Comments
39	TPT125039	CORD CLAMP	1	
40	TPT125040	SET SCREW	1	M5×10
41	TPT125041	BELT GUARD	1	
42	TPT125042	SOCKET HEAD BOLT	1	M5×P0.8×10L
43	TPT125043	FLAT WASHER	1	5.3×12×1T
44	TPT125044	SOCKET HEAD BOLT	2	M5×P0.8×10L
45	TPT125045	GUARD	1	
46	TPT125046	ROLLERCASE	1	
47	TPT125047	PAN HEAD SCREW	2	M5×8L
48	TPT125048	SERRATED WASHER	2	ø5.3*ø10*S0.6
49	TPT125049	PAN HEAD SCREW	1	M5×P0.8×12L
50	TPT125050	FLAT WASHER	1	ø5.5*ø10*1T
51	TPT125051	POINTER	1	
52	TPT125052	GIB	2	
53	TPT125053	BLADE	2	
54	TPT125054	PIN	4	
55	TPT125055	CUTTERHEAD	1	
56	TPT125056	KEY	1	5×12L
57	TPT125057	LOCKING BOLT	12	M6*16L
58	TPT125058	BALL BEARING	1	6203-2RZ/2Z
59	TPT125059	BEARING RETAINER	1	
60	TPT125060	SOCKET HEAD BOLT	2	M5×P0.8×12L
61	TPT125061	CUTTERHEAD PULLEY	1	
62	TPT125062	BELT	1	135J6
63	TPT125063	HEX NUT	1	M16×22
64	TPT125064	SPRING	1	
65	TPT125065	CUTTERHEAD LOCK	1	
66	TPT125066	SPACER	1	
67	TPT125067	SOCKET HEAD BOLT	1	M5×P0.8×16L
68	TPT125068	MOTOR	1	HC100S-D1
68.1	TPT125068.1	HOLE PLUG	1	15.9
68.2	TPT125068.2	GASKET	1	
69	TPT125069	SPACER	1	
70	TPT125070	MOTOR PULLEY	1	
71	TPT125071	FLAT WASHER	1	
72	TPT125072	HEX HEAD SCREW	1	M8*20L
73	TPT125073	OUTFEED ROLLER	1	
74	TPT125074	SPRING (OUTFEED)	2	
75	TPT125075	INFEED ROLLER	1	
76	TPT125076	SPRING (INFEED)	2	
77	TPT125077	RETAINER(R.H.)	2	
78	TPT125078	SOCKET HEAD BOLT	4	M5×P0.8×12L
79	TPT125079	SPROCKET	1	M5×P0.8×10L

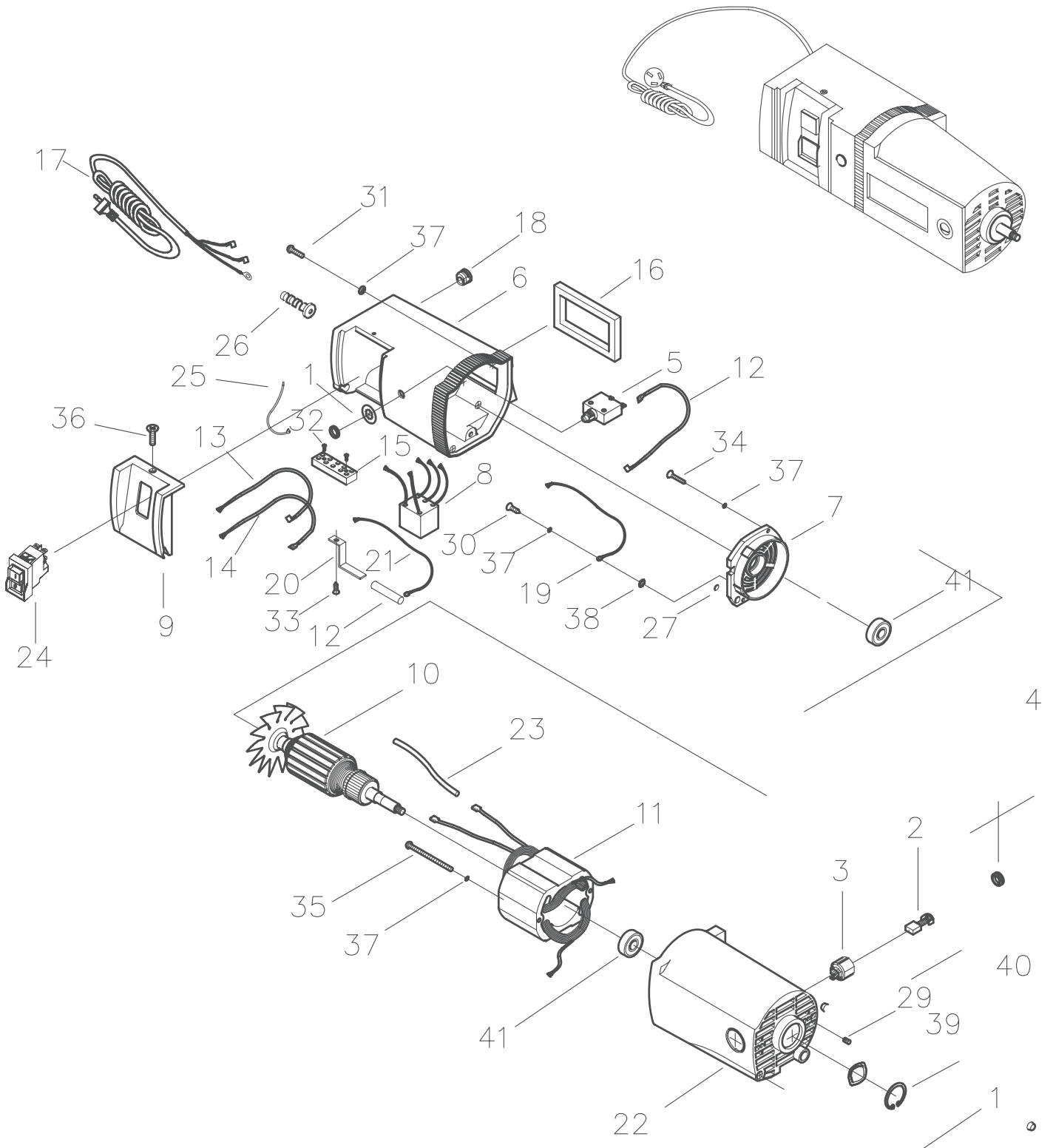
Triton Planer Thicknesser - TPT125

Diag. Ref.	Part No.	Description	Qty	Comments
80	TPT125080	EXT RET RING	2	STW15
81	TPT125081	CHAIN	1	#410-26
82	TPT125082	SPROCKET	2	
83	TPT125083	BEARING BLOCK	4	
84	TPT125084	RETAINER(L.H.)	2	
85	TPT125085	SOCKET HEAD BOLT	4	M5×P0.8×12L
86	TPT125086	SOCKET HEAD BOLT	1	M6×P1.0×10L
87	TPT125087	WASHER	1	6.3×15×2T
88	TPT125088	ELEVATING NUT (L.H.)	1	
89	TPT125089	SOCKET HEAD BOLT	4	M6×P1×16L
90	TPT125090	WASHER	4	6.3×15×2T
91	TPT1250091	ELEVATING NUT (R.H.)	1	
92	TPT125092	COLUMN	3	
92-1	TPT125092.1	COLUMN	1	
93	TPT125093	ELEVATING SCREW(L.H.)	1	
94	TPT125094	ELEVATING SCREW (R.H.)	1	
95	TPT125095	SOCKET HEAD BOLT	8	M5×P0.8×10L
96	TPT125096	GUIDE	2	
97	TPT125097	PLATEN	1	
98	TPT125098	HEX HEAD BOLT	4	M6×20L
99	TPT125099	HEX NUT	4	M6×P1.0
100	TPT125100	HEX NUT	4	M12×P1.75
101	TPT125101	BASE	1	
102	TPT125102	BALL BEARING	2	6000ZZ
103	TPT125103	BALL RETAINER	2	SPCC
104	TPT125104	FLANGE BOLT	4	M5×P0.8×10L
105	TPT125105	SPACER	2	Ø10*Ø17*3T
106	TPT125106	GEAR	2	
107	TPT125107	WASHER	2	4.3*16*2T
108	TPT125108	SPRING WASHER	2	Ø4
109	TPT125109	SOCKET PAN HEAD SCREW	2	M4×P0.7×12L
110	TPT125110	INFEED/OUTFEED TABLE	2	
111	TPT125111	FLAT WASHER	8	Ø4
112	TPT125112	CHEESE HD SCR	8	M4×P0.7×6L
113	TPT125113	SOCKET HEAD BOLT	4	M6×P1.0×20L
114	TPT125114	TABLE BUSHING	4	
115	TPT125115	SPRING WASHER	4	Ø8
116	TPT125116	TABLE SUPPORT	2	
116-1	TPT125116.1	TABLE SUPPORT	2	
117	TPT125117	SUPPORT	2	
118	TPT125118	SOCKET HEAD BOLT	4	M5×P0.8×12L
119	TPT125119	SHAFT	1	
120	TPT125120	EXT RET RING	2	STW10

Triton Planer Thicknesser - TPT125

Diag. Ref.	Part No.	Description	Qty	Comments
121	TPT125121	GEAR	2	
122	TPT125122	SCALE	1	
123	TPT125123	SIDE COVER	2	
124	TPT125124	LABLE	2	155*42cm
125	TPT125125	MAGNET	2	
126	TPT125126	WRENCH	1	M4×130×70
127	TPT125127	SPACER	70	
128	TPT125128	ANTI-KICKBACK PAWL	69	
129	TPT125129	PAWL SHAFT	1	
129.1	TPT125129.1	EXTERNAL CIRCLE	2	Ø12
130	TPT125130	SOCKET HEAD BOLT	2	M6×P0.8×14L
131	TPT125131	CHAIN	1	220L
132	TPT125132	PIN	2	Ø2×12
133	TPT125133	FLAT WASHER	2	Ø6
134	TPT125134	CARTON	1	
135	TPT125135	PROTECTING CASE	1	
136	TPT125136	OPERATOR'S MANUL	1	

Triton Planer Thicknesser Motor - TPT125



Triton Planer Thicknesser Motor - TPT125

Diag. Ref.	Part No.	Description	Qty	Comments
1	TPT125901	SET PIN	4	
2	TPT125902	CARBON BRUSH	1	
3	TPT125903	CARBON BRUSH SEAT	2	
4	TPT125904	CARBON BRUSH CAP	1	
5	TPT125905	CIRCUIT BREAKER	1	
6	TPT125906	SWITH BOX	1	
7	TPT125907	FRONT HOUSING COVER	1	
8	TPT125908	CAPICITOR AND INDUSCUTONR	1	
9	TPT125909	SWITH BEZEL	1	
10	TPT125910	ARMATURE	1	
11	TPT125911	STATOR	1	
12	TPT125912	LEAD WIRE	2	
13	TPT125913	FILTER WIRE (BLACK)	2	
14	TPT125914	FILTER WIRE (WHITE)	1	
15	TPT125915	TERMINAL WIRING	1	
16	TPT125916	SPONGE	4	
17	TPT125917	POWER CORD	4	
18	TPT125918	CAP	2	
19	TPT125919	GROUNDED WIRE	1	
20	TPT125920	FIXED PLATE	1	
21	TPT125921	GROUNDED WIRE	1	
22	TPT125922	REAR HOUSING COVER	1	
23	TPT125923	WAX TUBE	1	
24	TPT125924	SWITCH	3	
25	TPT125925	STRIP	2	
26	TPT125926	RELIEF STRAIN	1	
27	TPT125927	LANDMARK	1	
28	TPT125928	LOCTITE	1	
29	TPT125929	SET SCREW	1	5×8
30	TPT125930	CROSS HD SCREW	1	5×8
31	TPT125931	CROSS HD SCREW	1	5×20
32	TPT125932	TAPPING SCREW	1	3×14
33	TPT125933	TAPPING SCREW	1	4×8
34	TPT125934	TAPPING SCREW	1	ST4.8×20
35	TPT125935	TAPPING SCREW	5	ST4.8×60
36	TPT125936	TAPPING SCREW	4	ST4.8×16
37	TPT125937	LOCK WASHER	1	5
38	TPT125938	EXTERNAL RETAINING WASHER	1	5
39	TPT125939	CURVE WASHER	2	25×31.5×0.3
40	TPT125940	RETAINING CIRCLE	1	32
41	TPT125941	BALL BEARING	1	6201-2Z(20000RPM)